

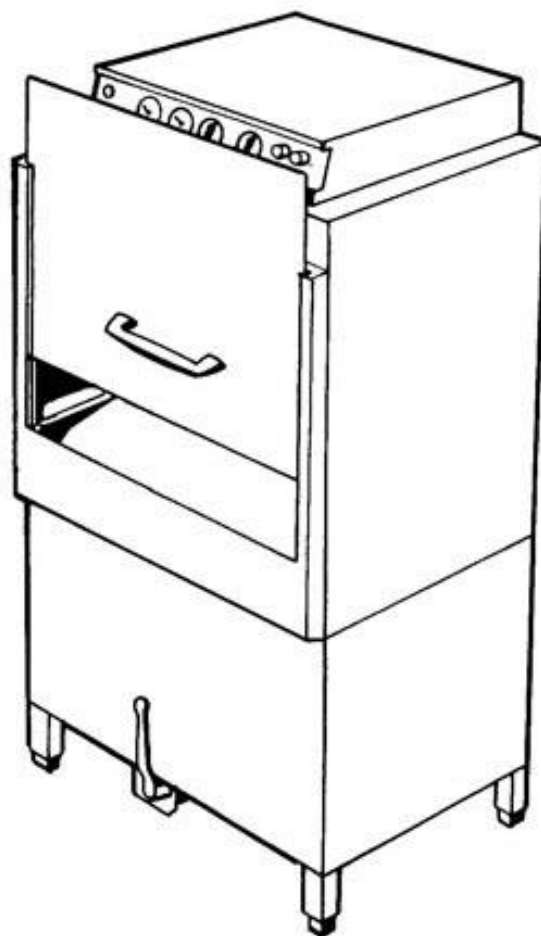
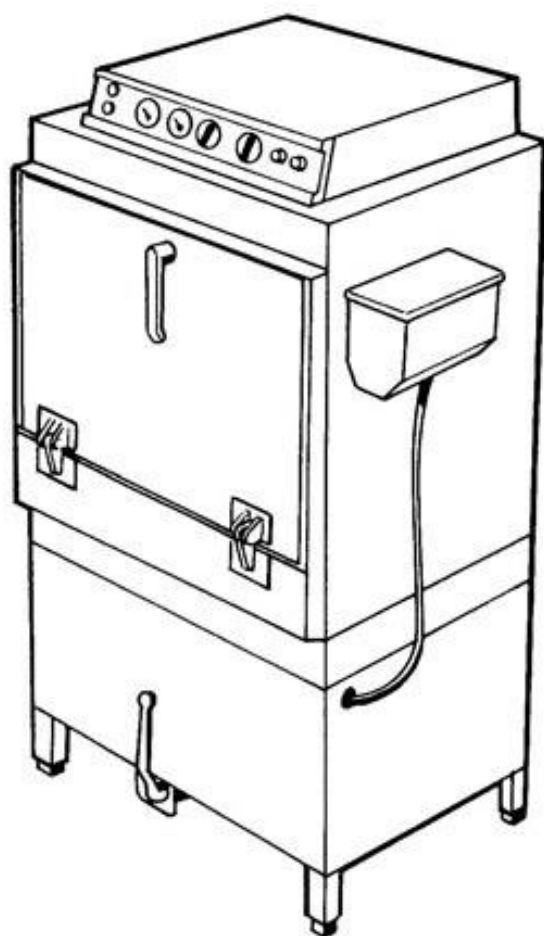
winterhalter

Spare Parts

GR 1210 / 1220 / 1230

Revised 02/05

Part no. 89001394



Summary

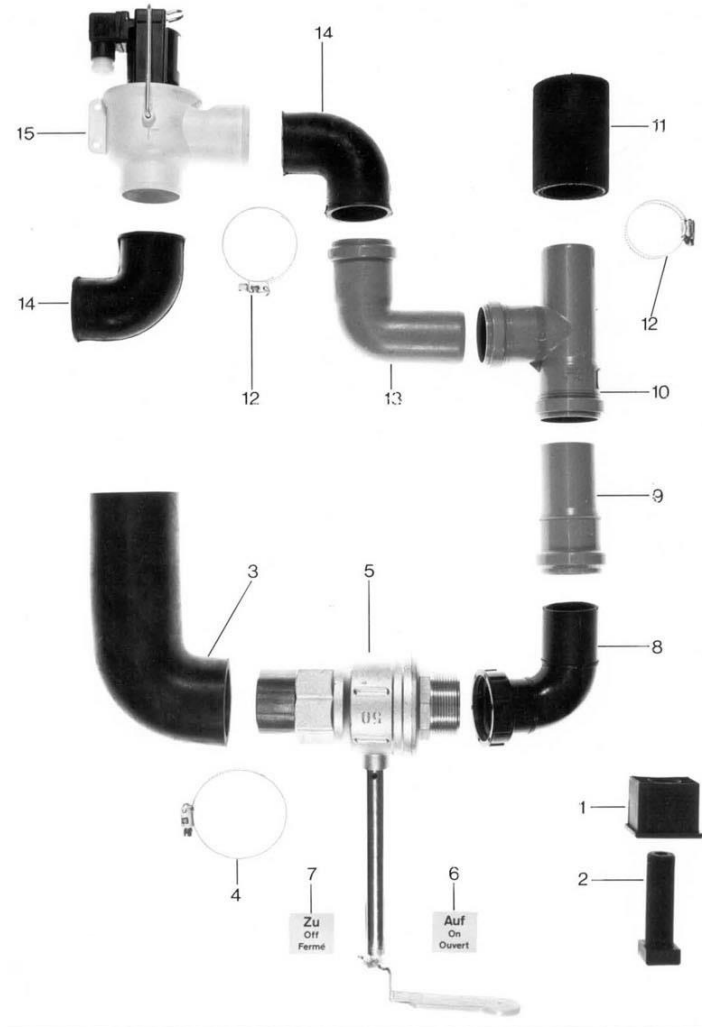
Base frame and water drain	Page 1 and 2
Tank heating, air chamber and filter	Page 3 and 4
Mediamat and overflow	Page 5 and 6
Water supply	Page 7 and 8
Wash system bottom and reversing drive	Page 9 and 10
Wash system top	Page 11 and 12
Rinse system	Page 13 and 14
Flap door GR 1210	Page 15 and 16
Lifting door GR 1220/1230	Page 17 and 18
Electrical parts	Page 19 and 20

Racks and accessories see separate list.

Parts that have the note " Part made to order only!" are not in stock.
This parts are made specially for your order and have a delivery time.
They are not returnable.

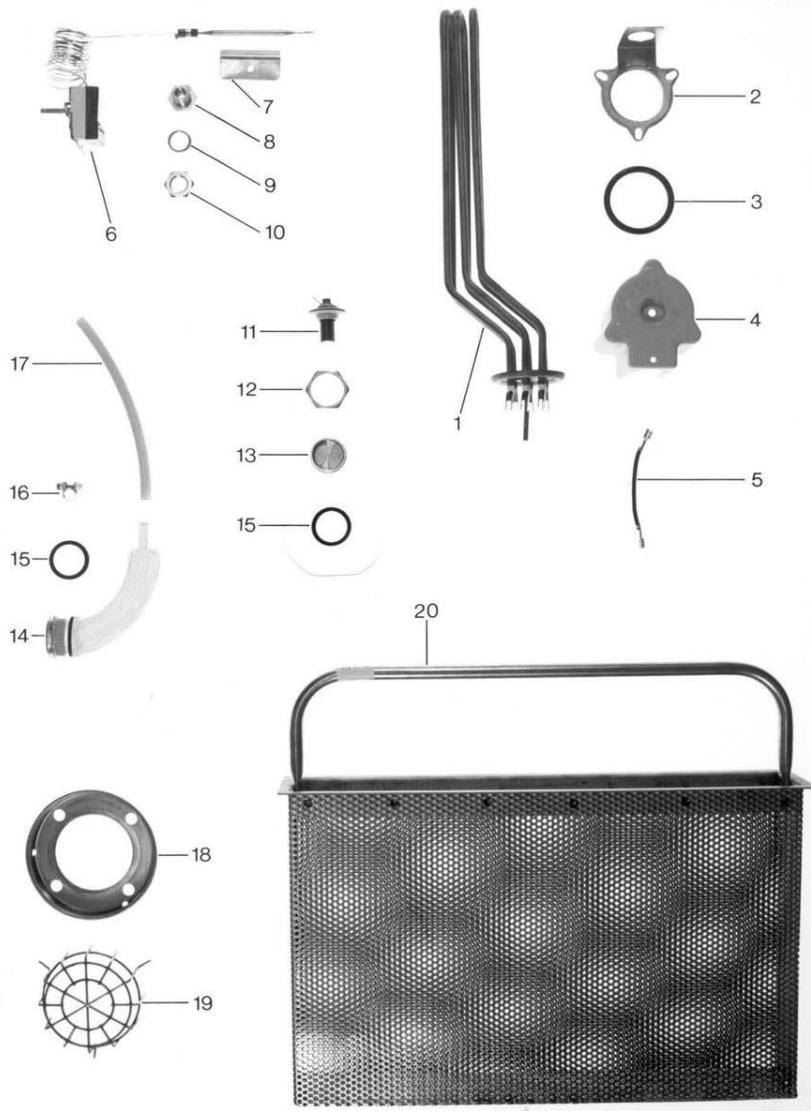
GR 1210 / 1220 / 1230

Untergestell und Wasserablauf
Base frame and water drain
Châssis et écoulement d'eau



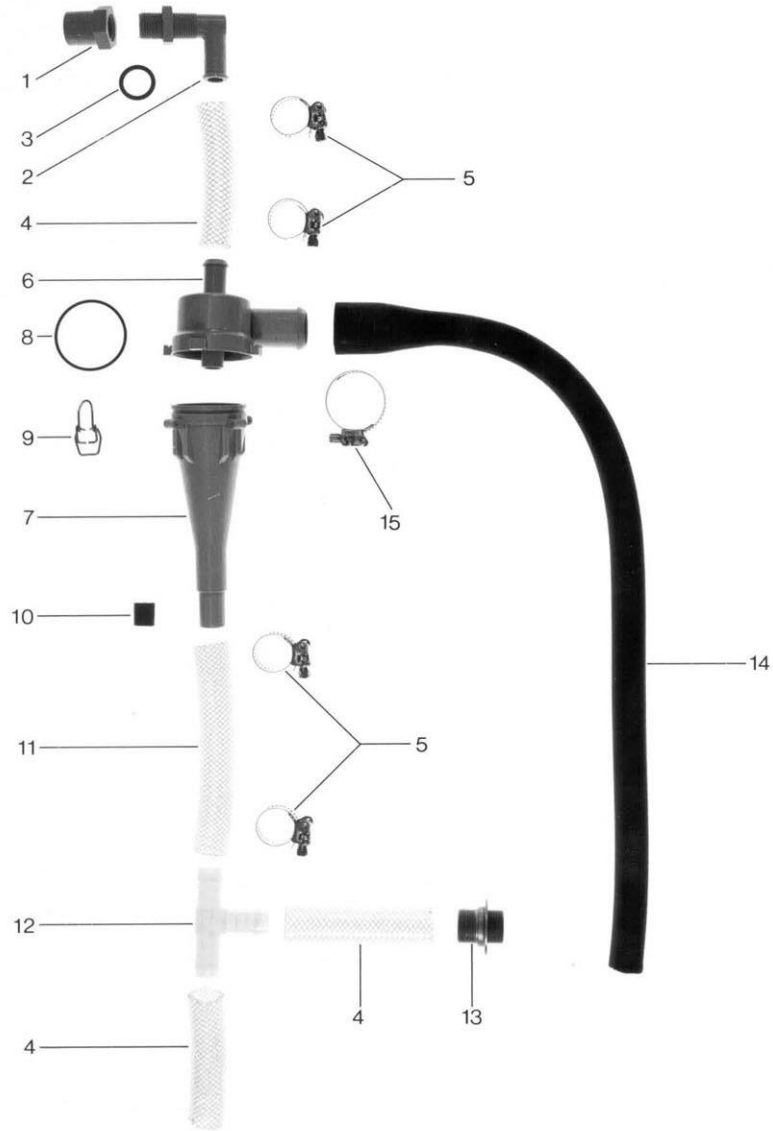
GR 1210 / 1220 / 1230

Tankheizung, Windkessel und Sieb
Tank heating, air chamber and sieve
Chauffage cuve, chambre d'air et tamis



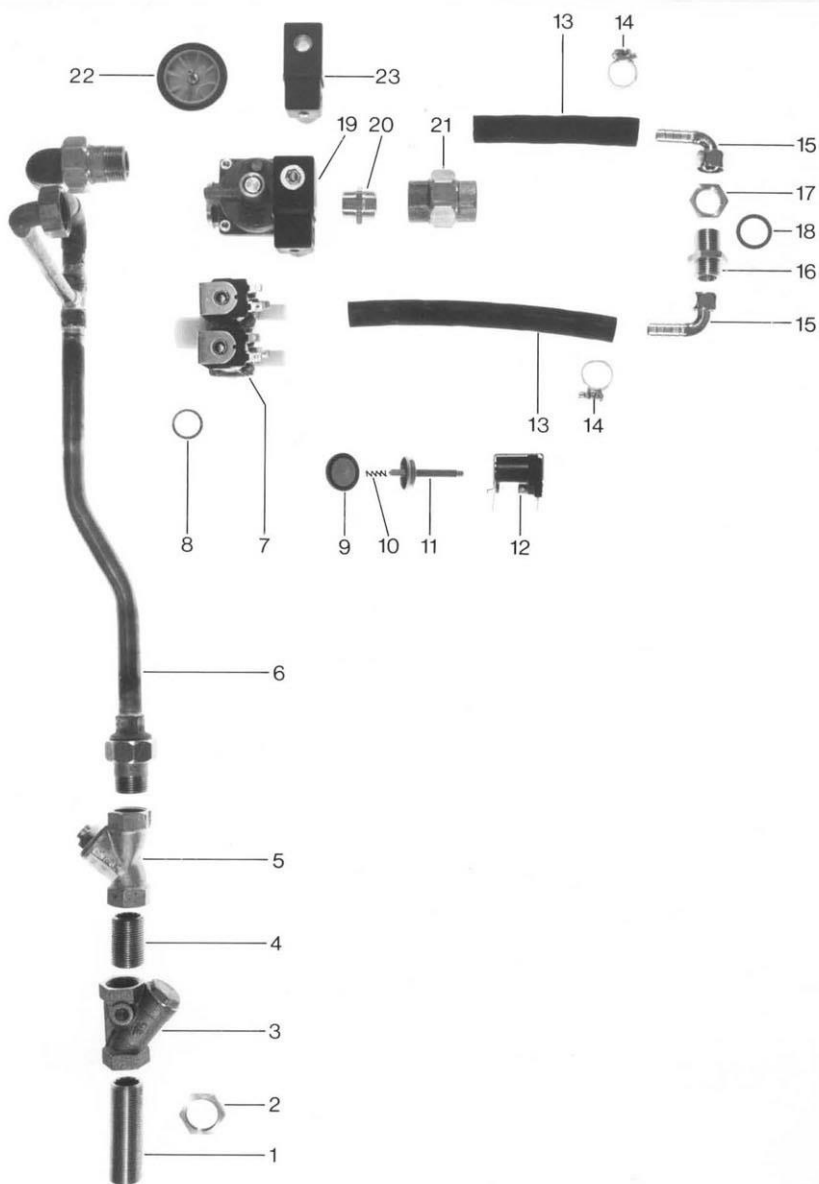
GR 1210 / 1220 / 1230

Mediamat und Überlauf
Mediamat and overflow
Médiamat et trop-plein



GR 1210 / 1220 / 1230

Wassenzulauf und Wassereinlauf
Water supply and water inlet
Alimentation d'eau et arrivée d'eau

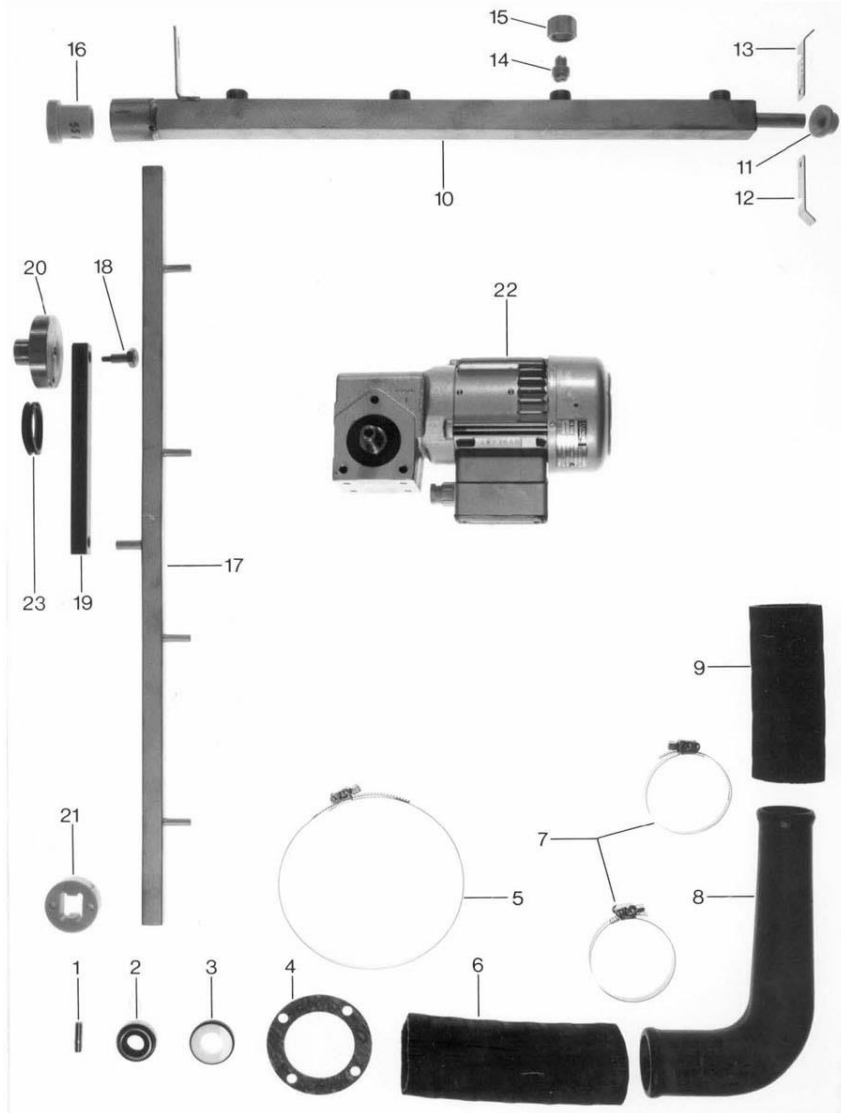


GR 1210/1220/1230 - Water supply

Pos.	Designation	Part no.	12 10	12 20	12 30	Notes
1	Long nipple 3/4" BSP x 80	30 12 205	x	x	x	
2	Locking nut 3/4" BSP	61002626	x	x	x	
3	Dirt trap	28 07 101	x	x	x	
4	Long nipple 3/4" BSP x 40	30 12 203	x	x	x	
5	Non return valve	29 03 233	x	x	x	
6	Inlet pipe cpl.	55 05 031	x	x	x	
7	Double solenoid valve	31 06 182	x	x	x	with powder dosing without powder dosing
n.p.	Single solenoid valve	31 06 180	x	x	x	
8	Seal ø 24 x ø 19,5 x 1,5	27 09 010	x	x	x	Replaced by pos. 7
9	Diaphragm		x	x	x	
10	Spring		x	x	x	
11	Top part with plunger		x	x	x	
12	Magnetic coil 220-240 V 50-60 Hz		x	x	x	
13	Industrial hose ø 13 x 3,5 x 1600	40 02 029	x	x	x	per metre
14	Hose clip 14-24	28 02 301	x	x	x	
15	Angle screwing 1/2" x 1/2"	29 06 238	x	x	x	with coupling nut and seal
16	Double nipple 1/2" BSP x 3/4" x 38	61003430	x	x	x	
17	Locking nut 1/2" BSP	30 09 201	x	x	x	
18	Seal ø 28 x ø 21 x 2	27 03 006	x	x	x	
19	Solenoid valve 3/4" 220V 50Hz/240V 60Hz	31 06 089	x	x	x	For rinsing To pos 19 for 31 06 080/089
n.p.	Plug	31 06 082	x	x	x	
n.p.	Coil 220 V 50 Hz	31 06 083	x	x	x	
n.p.	Spring for diaphragm	31 06 070	x	x	x	
n.p.	Coil 220 V 60 Hz	31 06 107	x	x	x	
n.p.	Coil 240 V 50 Hz	31 06 096	x	x	x	
n.p.	Repair kit	31 06 115	x	x	x	
20	Double nipple 3/4" BSP x 25	30 11 207	x	x	x	
21	Pipe screwing 3/4" BSP	30 03 104	x	x	x	
22	Repair kit	31 06 115	x	x	x	for 31 06 080/089
23	Coil	31 06 069	x	x	x	220V 50Hz / 240V 60Hz
n.p.	Backflow restrictor	35 01 193				
n.p.	Solenoid valve 1/2" 220V / 50Hz	31 06 080				
n.p.	Repair kit	31 06 115				for 31 06 080/089

GR 1210 / 1220 / 1230

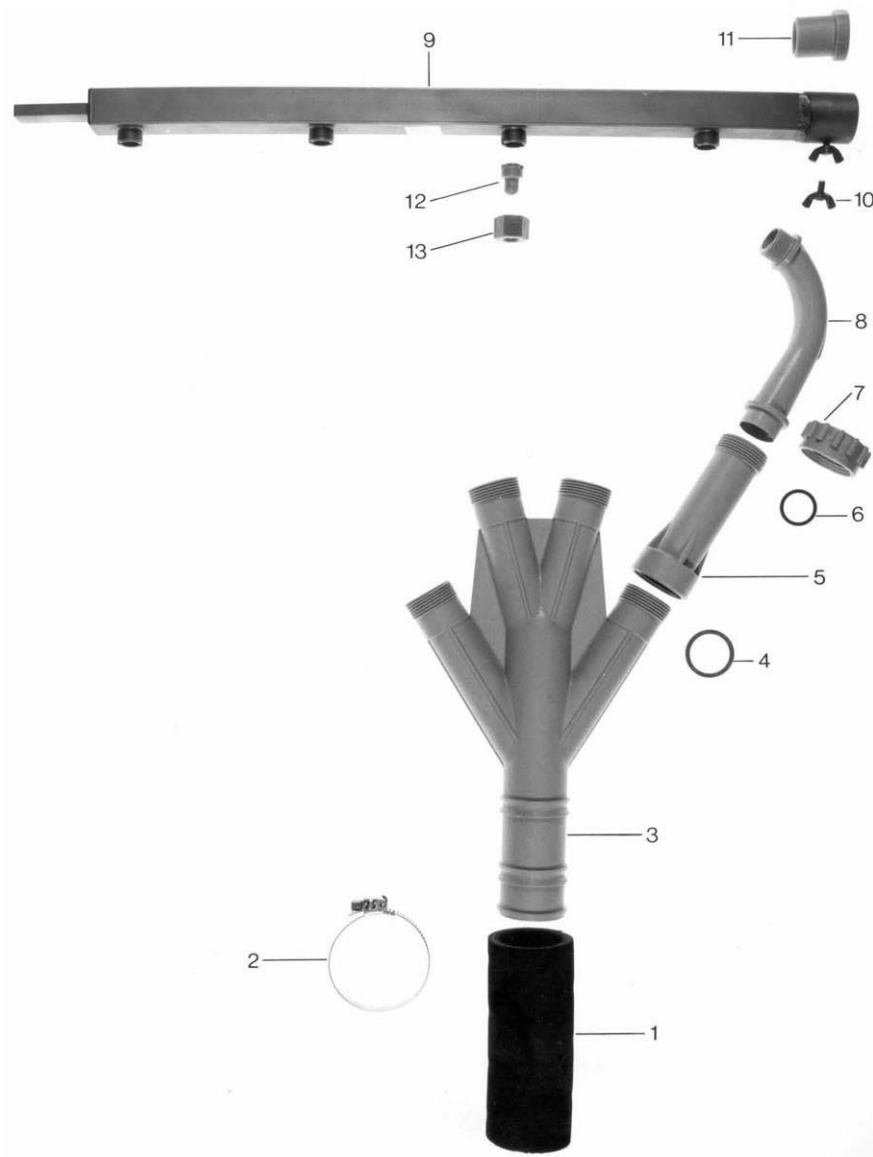
Waschsystem unten mit Reversierantrieb
Bottom wash system with reversible drive
Système de lavage inférieur avec commande reversible



GR 1210/1220/1230 - Wash system bottom and reversing drive

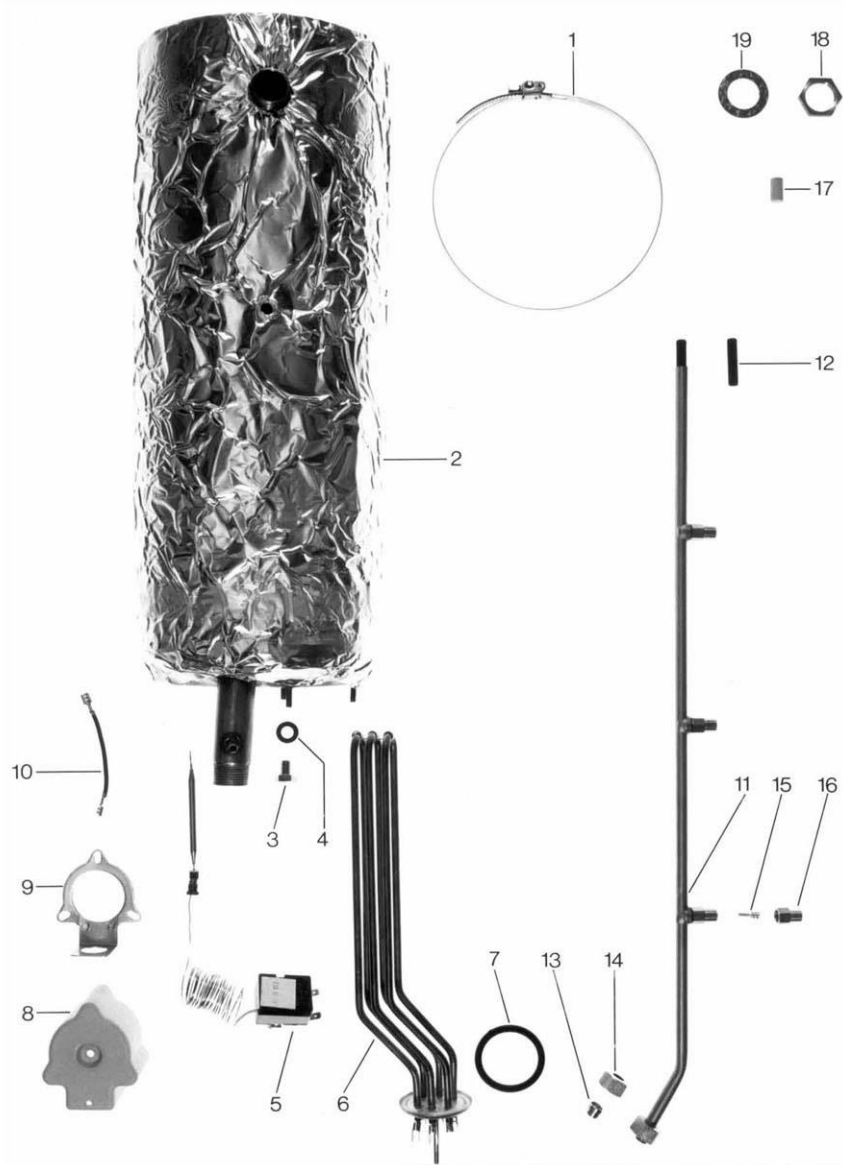
Pos.	Designation	Part no.	12 10	12 20	12 30	Notes
n.p.	Pump 3,7 kW 220/380 V 50 Hz	55 14 049	x	x	x	Further tensions
n.p.	Pump 3,7 kW 240/420 V 50 Hz	55 14 121	x	x	x	on request
1	Set-screw M 8 x 20	20 32 344	x	x	x	Sealing Kit 80002672
2	Motor shaft seal		x	x	x	
3	Locking ring		x	x	x	
4	Seal ø 100 x 65 x 2	27 09 024	x	x	x	
n.p.	Impeller	35 01 181	x	x	x	50 hz
n.p.	Impeller	55 14 141	x	x	x	60 hz
5	Hose clip 167-187	28 02 124	x	x	x	for fixing pump
6	Industrial hose ø 60 x 8 x 200	40 02 007	x	x	x	from pump to elbow per metre
7	Hose clip 62-82	28 02 120	x	x	x	
8	Reducing elbow	55 06 051	x	x	x	betw. pump and manifold
9	Industrial hose ø 50 x 8 x 160	40 02 006	x	x	x	from pump to manifold bottom per metre
10	Wash arm bottom with jets	65000196	x	x	x	Until 12/92
n.p.	Wash arm bottom with jets	65002265		x	x	From 01/93 with bajonet closing
11	Bush	35 01 178	x	x	x	only wash arm bottom, at wash arm support in front
12	Locking bar left	55 07 042	x	x	x	
13	Locking bar right	55 07 041	x	x	x	
14	Wide spread jet	29 10 509	x	x	x	
15	Jet cap	29 10 532	x	x	x	
16	Bush	35 01 177	x	x	x	since 1/80
17	Drive rod	55 08 033	x	x	x	
18	Crank pin	55 08 035	x	x	x	
19	Connecting plate	55 08 034	x	x	x	
20	Eccentric pulley	55 08 036	x	x	x	
21	Sliding block for drive rod	35 01 211	x	x	x	since 1/89
22	Gearmotor 0,12 kW 230/400 V 50 Hz	31 16 021	x	x	x	
n.p.	Gearmotor 0,12 kW 220 V 60 Hz	31 16 039	x	x	x	
23	Shaft seal	27 08 003	x	x	x	
n.p.	Plug for wash arm	35 01 175	x	x		
n.p.	Adjustable wash jet white	29 10 508	x	x	x	first series
n.p.	Jet cap white	29 10 532	x	x	x	
n.p.	Jet base white	29 10 531	x	x	x	
n.p.	Impeller	55 14 140	x	x	x	
n.p.	Wash arm for bayonet catch	65002265	x	x	x	as from 12/92

GR 1210 / 1220 / 1230
Waschsystem oben
Top wash system
Système de lavage supérieur



GR 1210 / 1220 / 1230

Nachspülsystem
Rinse system
Système de rinçage

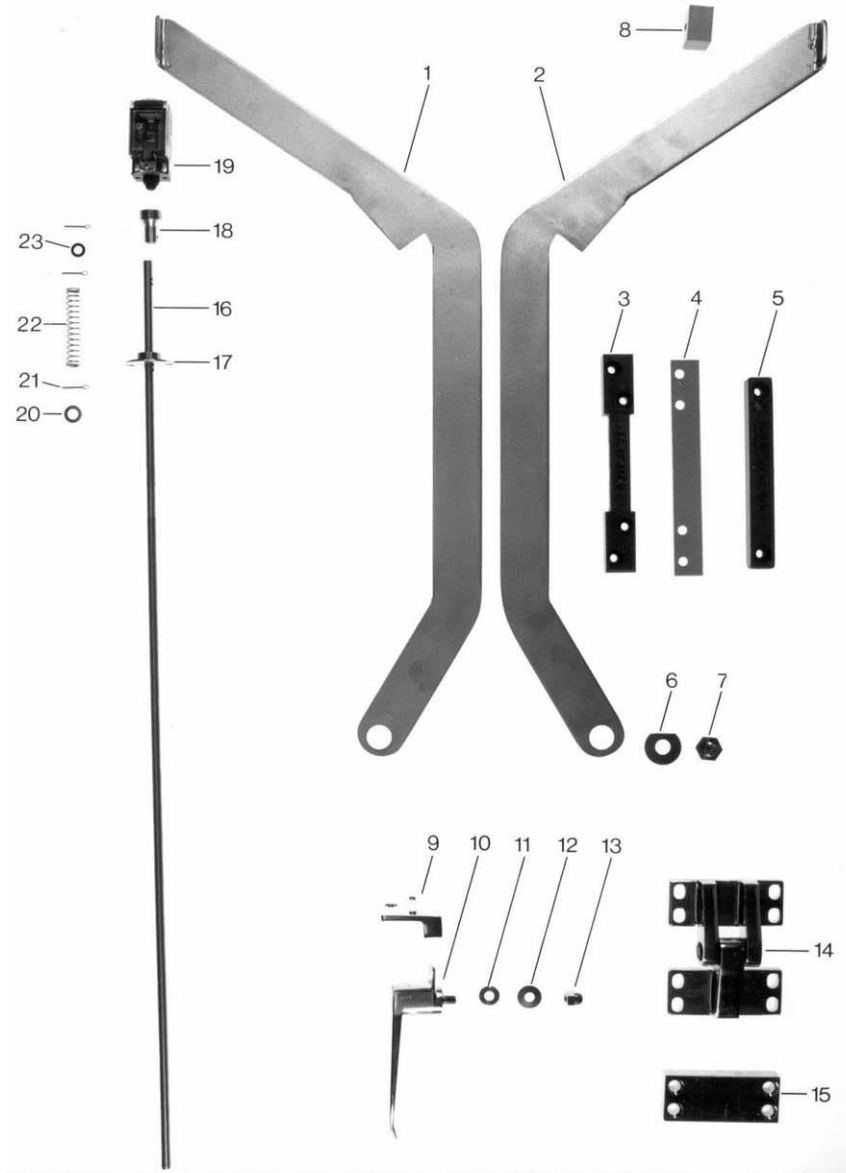


GR 1210/1220/1230 - Rinsing

Pos.	Designation	Part no.	12 10	12 20	12 30	Notes
1	Hose clip 50-215 X 12	28 02 126	x	x	x	for boiler fixing
2	Boiler 6 kW	55 12 035	x	x	x	without heating element
n.p.	Boiler 12 kW	80000583	x	x	x	Part made to order only!
3	Locking screw M 10 x 12	20 01 352	x	x	x	
4	Seal \varnothing 18 x \varnothing 10 x 1,5	27 03 003	x	x		
5	Capillary tube control 1750 lg.	31 25 013	x	x	x	
6	Heating element 6 kW 220/380 V	31 03 017	x	x	x	boiler
n.p.	Heating element 6 kW 240/420 V	31 03 043	x	x	x	
n.p.	Heating element 9 kW 220/380V 50Hz	31 03 018	x	x	x	
n.p.	Heating element 9 kW 240/420V 50Hz	31 03 057	x	x	x	
7	O-ring \varnothing 6 x \varnothing 46	27 07 069	x	x	x	for heating element
8	Covering cap	31 03 014	x	x	x	
9	Clamping ring with angle	55 19 018	x	x	x	
10	Link wire	31 23 088	x	x	x	
11	Rinse pipe cpl.	65002781	x	x	x	
12	Grub-screw M 9 x 40	20 30 502	x	x	x	spare parts of rinse pipe
13	Cutting ring \varnothing 10	29 07 303	x	x	x	
14	Coupling nut 3/8" BSP	29 07 200	x	x	x	
15	Swirl	65002764	x	x	x	
16	Cap	65002765	x	x	x	
17	Grub-screw M 11 x 1 x 20 lg.	20 30 503	x	x	x	end of rinse manifold
18	Locking nut 3/4" BSP x 5	61002626	x	x	x	for fixing rinse manifold
19	Seal \varnothing 27 x \varnothing 42 x 2	27 09 003	x	x	x	
n.p.	Rinse manifold	65000253	x	x	x	

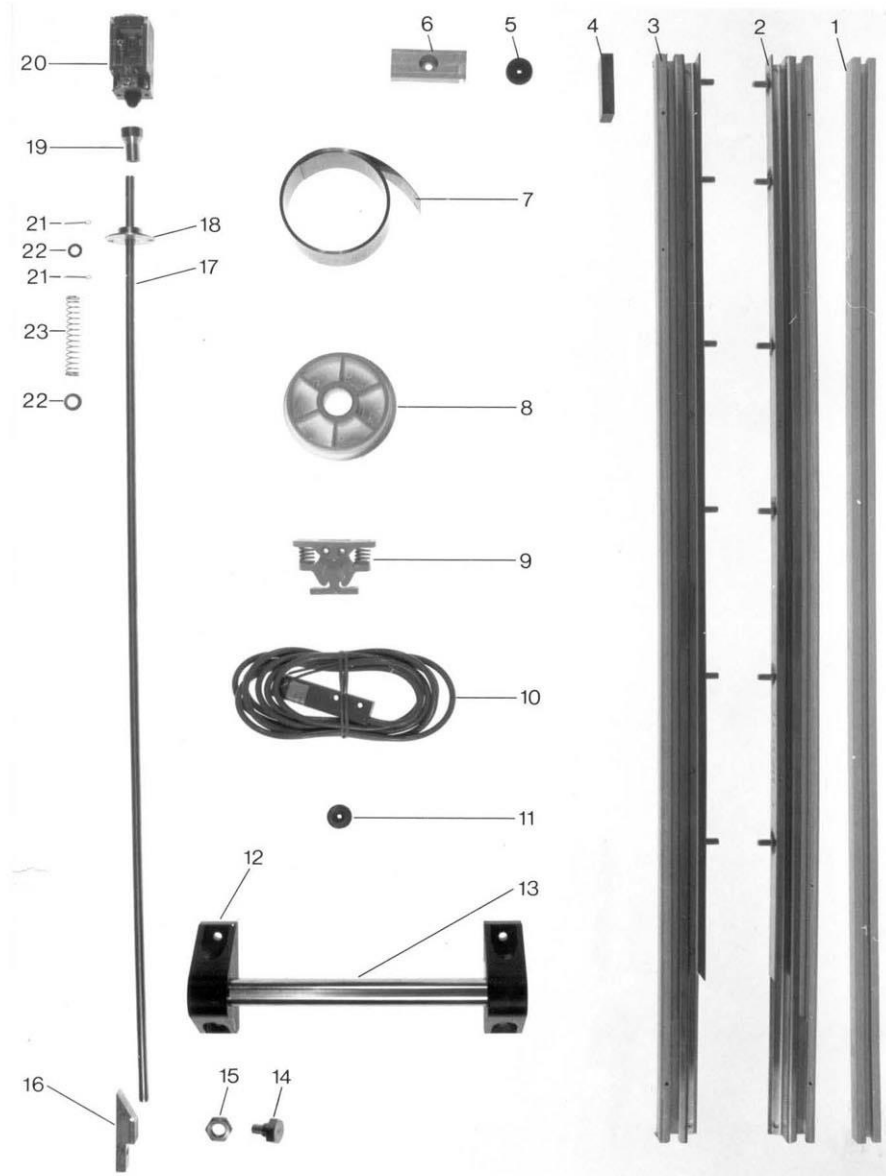
GR 1210 / 1220 / 1230

Klapptüre
Flap door
Porte pliante



GR 1210 / 1220 / 1230

Hubtüre
Lifting door
Porte de levage

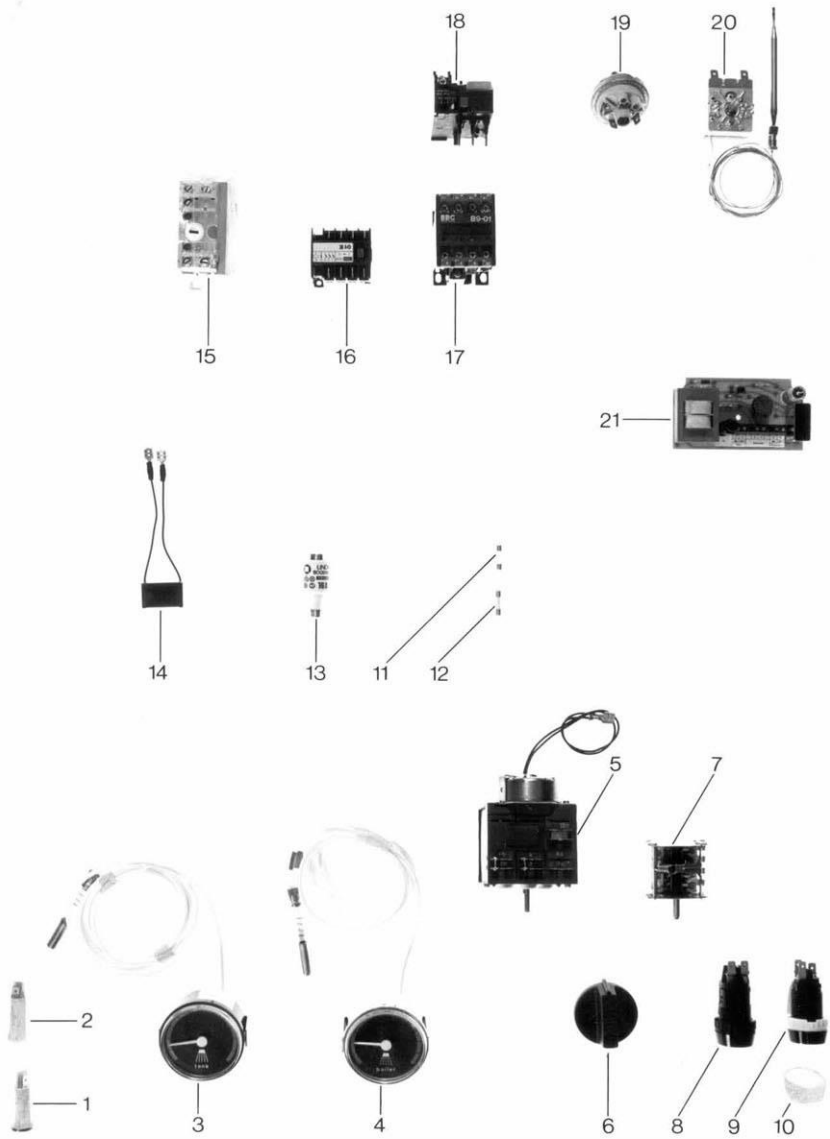


GR 1220/1230 - Lifting door

Pos.	Designation	Part no.	12 20	12 30	Notes
n.p.	Lifting door	55 15 118	x	x	at GR 1230 only front Part made to order only!
n.p.	Lateral lifting door left	55 15 122		x	Part made to order only!
n.p.	Lateral lifting door right	55 15 123		x	Part made to order only!
1	Sliding rail 785 lg.	35 04 038	x	x	
2	Door guide right	55 15 119	x	x	with sliding rail
3	Door guide left	55 15 120	x	x	with sliding rail
4	Block	55 15 124	x	x	for sealing sliding rail top Part made to order only!
5	Rubber buffer	40 06 007	x	x	as door stop
6	Cover for door	35 01 162	x	x	abrasion protection for spring
7	Roller spring	28 04 024	x	x	
n.p.	Adapter	80000638	x	x	To roller spring
8	Pulley ø 90 x 24	35 01 160	2	2	
n.p.	Spring bracket	65000406	x	x	
n.p.	Bearer Angle	65000414	x	x	
9	Door catch cpl.	55 15 128	x	x	
10	Magnet switch	31 24 111	x	x	
11	Permanent magnet	31 24 112	x	x	
12	Bearer for door handle	35 01 163	x	x	
13	Pipe ø 22 x 1,5 x 235 lg.	65000424	x	x	for door handle
n.p.	Pipe ø 22 x 1,5 x 395 lg.	55 15 131		x	for door handle at side door
14	Door catch bolt M 12 x 1	20 19 304	x		for charging flap
15	Hexagon nut M 12	21 09 300	x		for charging flap
16	Stopping wedge	55 15 130	x	x	
17	Limit switch rod	55 15 117	x	x	
18	Bearing for limit switch rod	55 15 129	x	x	
19	Trip cams ø 18 x 27 lg.	28 14 204	x	x	
20	Limit switch	31 24 104	x	x	at GR 1230 from series 2059 onwards
21	Cotter pin ø 2 x 15	23 15 300	x	x	
22	O-ring ø 8 x 2,5	27 07 013	x	x	
23	Retaining support	28 04 011	x	x	
24	Washer ø 8,4	22 01 303	x	x	
n.p.	Dome head nut M 6	21 10 204	x	x	
n.p.	Roller spring	28 04 026			
n.p.	Charging flap	65000408	x		
n.p.	Abutment	55 15 156			for charging flap
n.p.	Front rack support cpl.	65000525		x	Part made to order only!
n.p.	Rear rack support cpl.	65000526		x	Part made to order only!
n.p.	Corner rack support R - L	65000574		x	Part made to order only!
n.p.	Corner rack support L - R	65002081		x	Part made to order only!

GR 1210 / 1220 / 1230

Elektroteile
Electrical parts
Matériel électrique



GR 1210/1220/1230 - Electrical parts

Pos.	Designation	Part no.	12 10	12 20	12 30	Notes
1	Pilot light green	31 08 002	x	x	x	
2	Pilot light white	31 08 026	x	x	x	
3	Remote thermometer 55°C	32 01 016	x	x	x	for tank
4	Remote thermometer 85°C	32 01 017	x	x	x	for boiler
5	Programme switch	31 05 120	x	x	x	
6	Control knob blue	55 19 036	x	x	x	with spring
7	Control switch	31 24 008	x	x	x	
8	Pressurs switch black	31 24 002	x	x	x	
9	Pressure key button white	31 24 001	x	x	x	
10	Sealing cap transparent	31 24 208	x	x	x	
11	Fuse insert 1,0 Amp.	31 11 039	x	x	x	fuse window clear
12	Fuse insert 6,3 Amp.	31 11 043	x	x	x	fuse window milky
n.p.	Fuse insert 10 Amp.	31 11 093	x	x	x	
13	Fuse 16 Amp.	31 11 084	x	x	x	
14	RC-member	61002141	x	x	x	
15	Time lag relay	31 04 083	x	x	x	
16	Mini contactor	31 04 068	x	x	x	
17	Contactor A 16	31 04 162	x	x	x	
18	Overload relay	31 04 193	x	x	x	
19	Level switch (pressure switch)	31 26 018	x	x	x	
20	Thermotat 2100 long	31 25 015	x	x	x	
21	Electr. conductivity control	31 13 042	x	x	x	
n.p.	Auxiliary switch	31 04 166	x	x	x	
n.p.	Switch box cover	65000312	x	x	x	Part made to order only!
n.p.	Front screen plate	28 03 100	x	x	x	
n.p.	Type plate "GR 1210"	28 02 183	x			
n.p.	Type plate "GR 1220"	28 03 184		x		
n.p.	Type plate "GR 1230"	2803185			x	
n.p.	Plate "7 min"		x	x	x	No more available